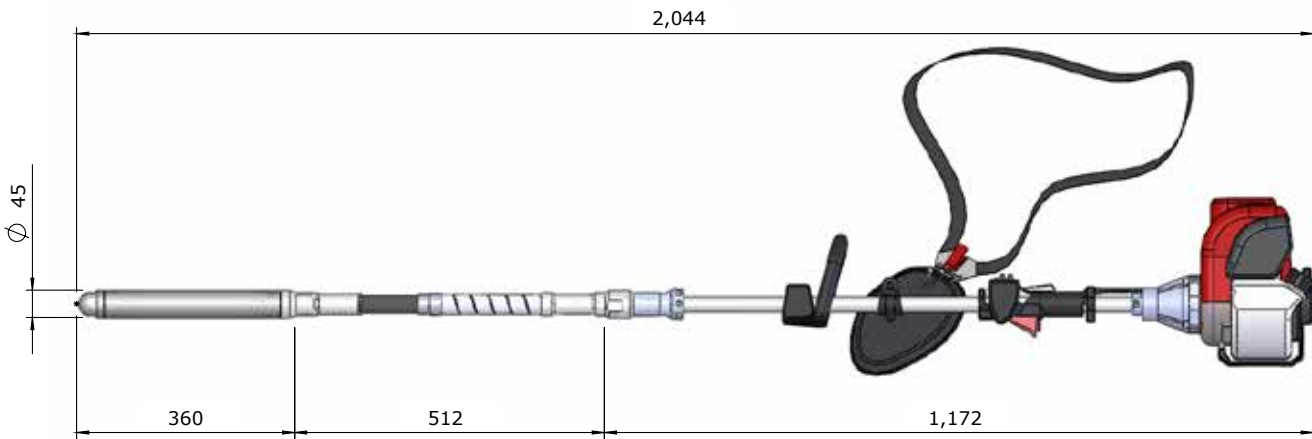




HOPPT® Hand-Held Concrete Vibrator with Padded Shoulder-Harness



MODEL	PVE45
TYPE	HARD NOSE
FLEXSHAFT LENGTH - (mm)	545
VIBRATOR HEAD DIAMETER - (mm)	45
VIBRATOR HEAD LENGTH - (mm)	360
OPERATING WEIGHT - (kg)	12
SHAFT INNER CORE DIAMETER - (mm)	10
SHAFT OUTER CASING DIAMETER - (mm)	30
FREQUENCY - Hz (vpm)	150 (9,000)
AMPLITUDE IN AIR - (mm)	2.8
ENGINE MODEL	HONDA® GX35 @ 1.2kW (1.6hp) 4-Stroke Petrol Engine